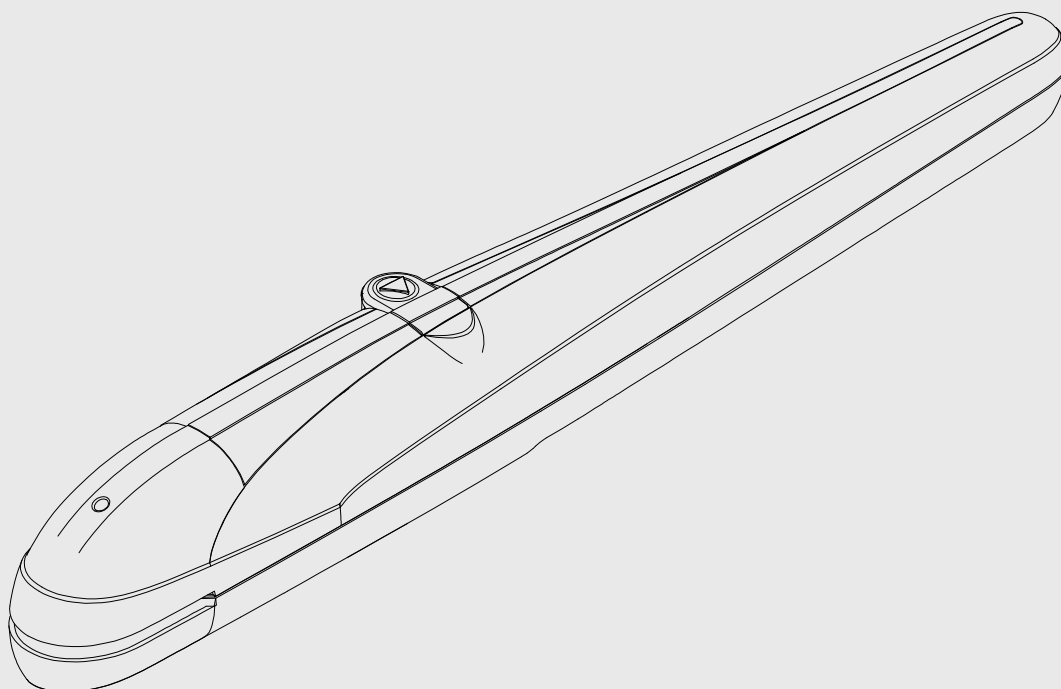


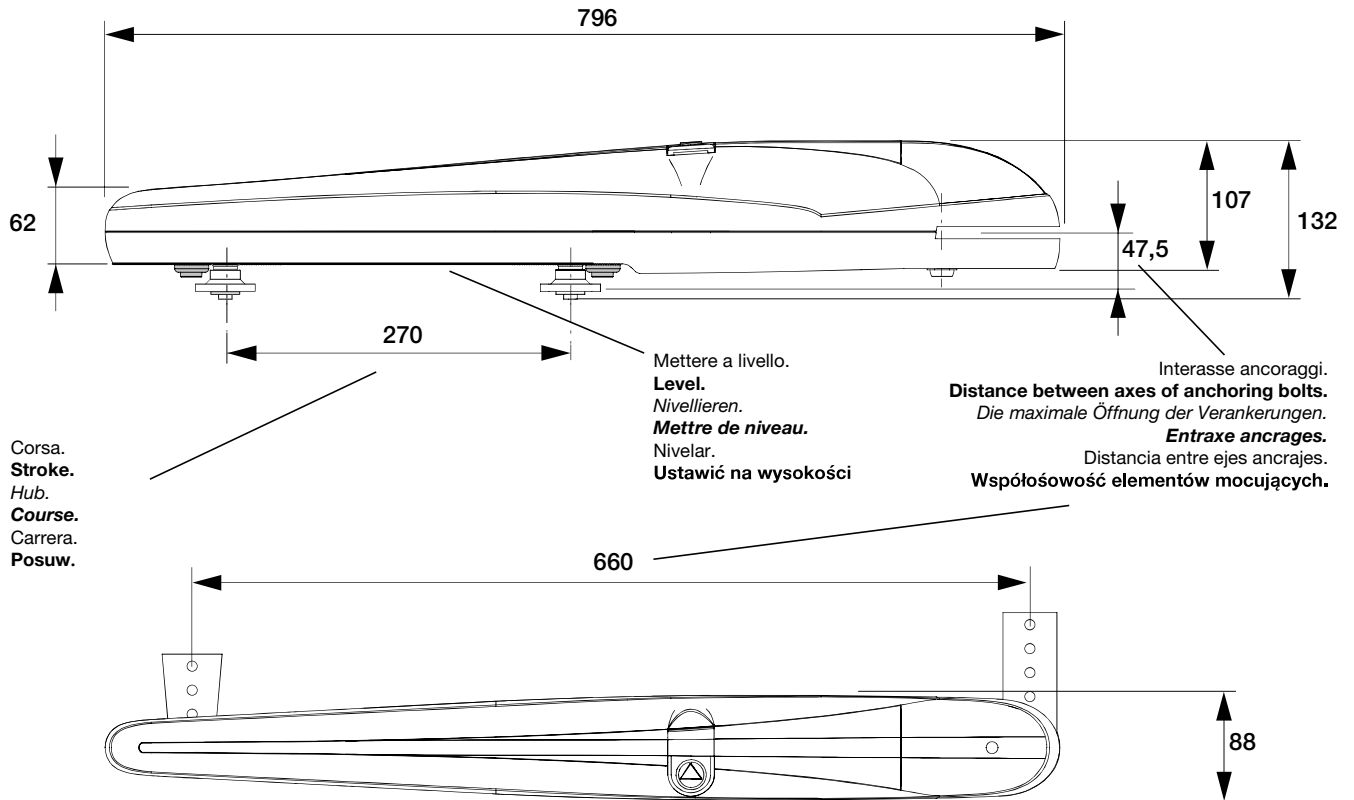
BOB21M BOB30M / BOB30ME



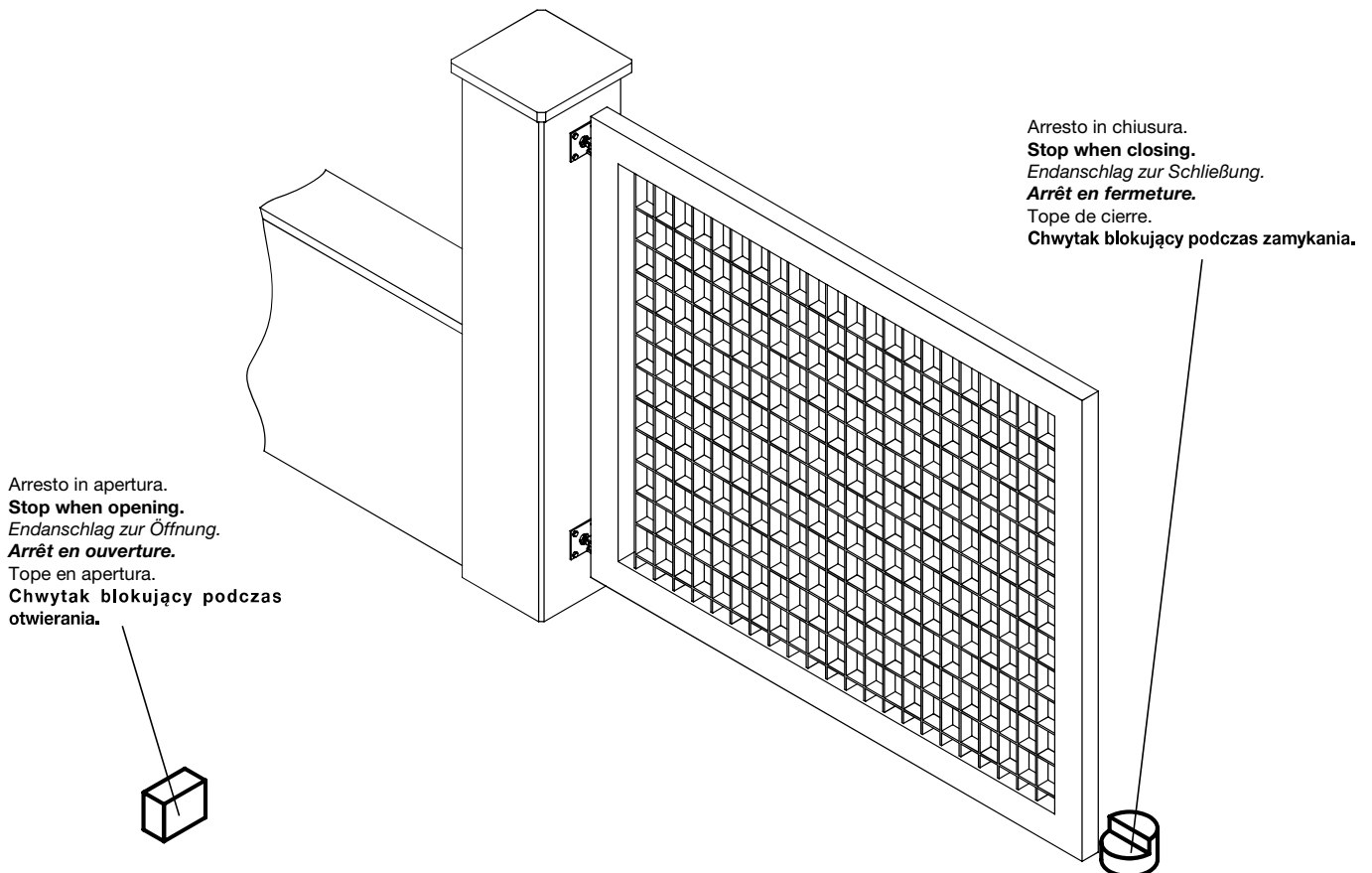
BENINCA[®]
TECHNOLOGY TO OPEN



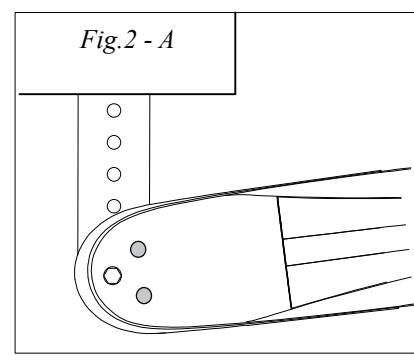
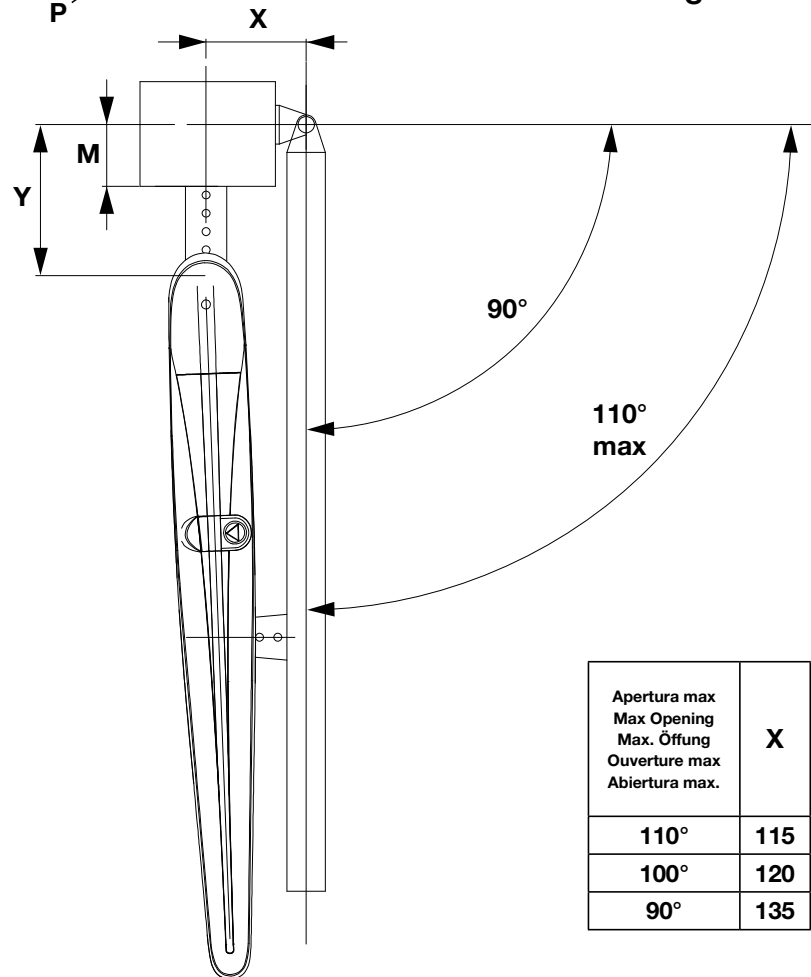
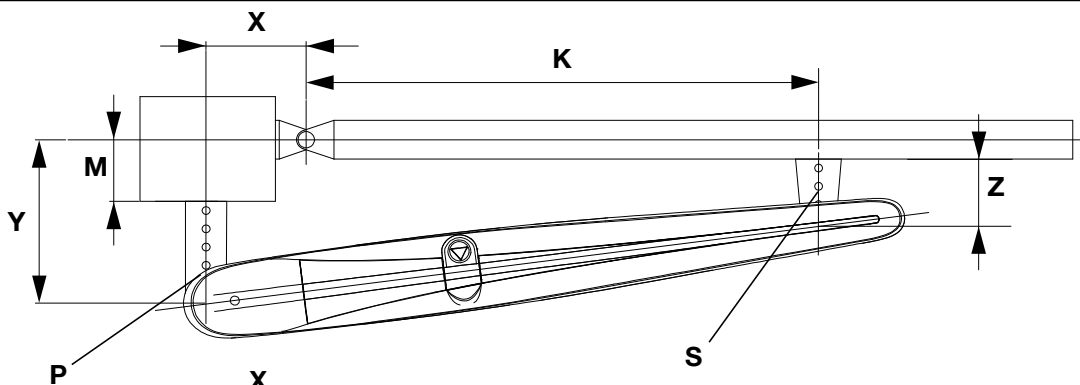
Dimensioni d'ingombro / Overall dimensions / Abmessungen
 Dimensions d'encombrement / Dimensiones exteriores / Wymiary gabarytowe



1

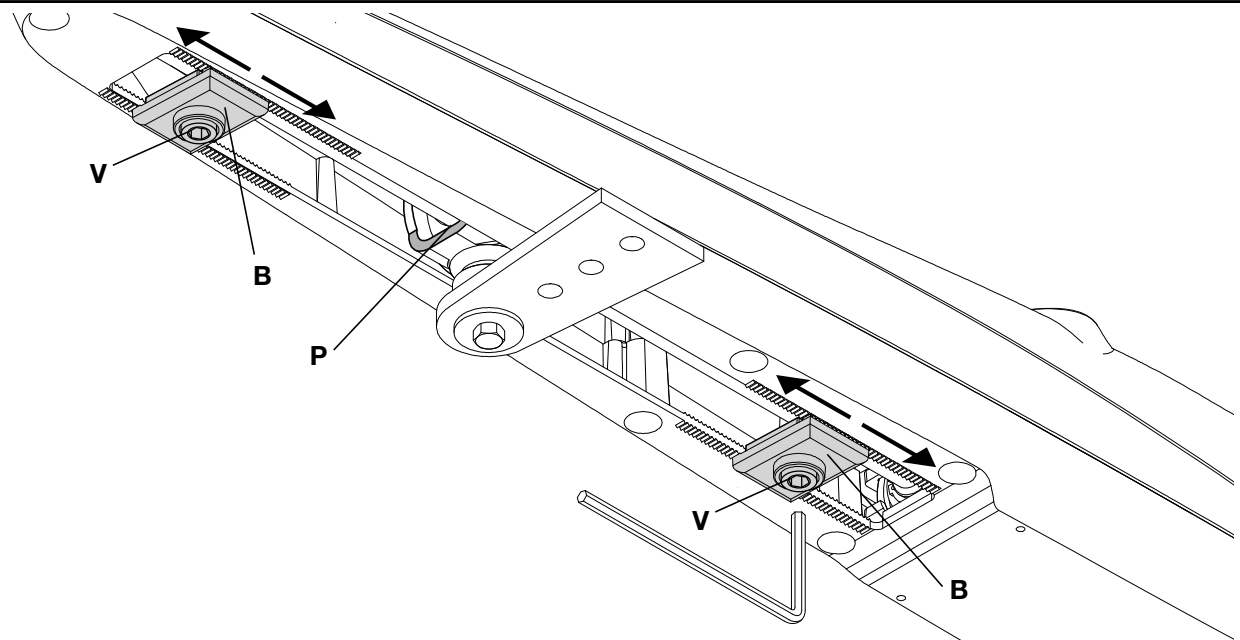


2

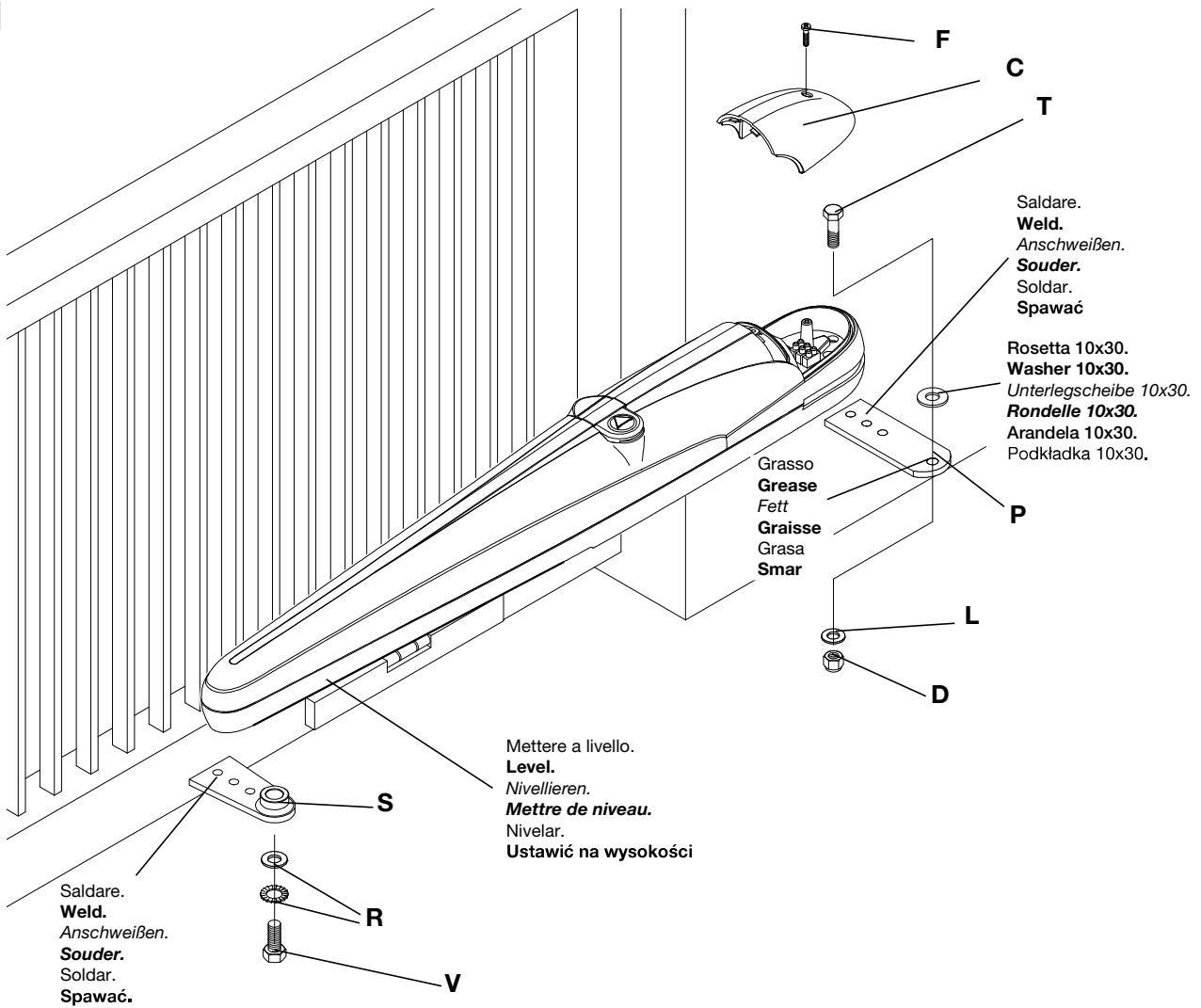


Apertura max Max Opening Max. Öffung Ouverture max Abertura max.	X	Y	Z	K	M* max.	Tempo apertura Opening time Öffungszeit Temps d'ouverture Tiempo de abertura Prędkość kątowna (90°)
110°	115	105	80	545	50	15"
100°	120	120	80	540	70	16"
90°	135	135	80	525	80	19"

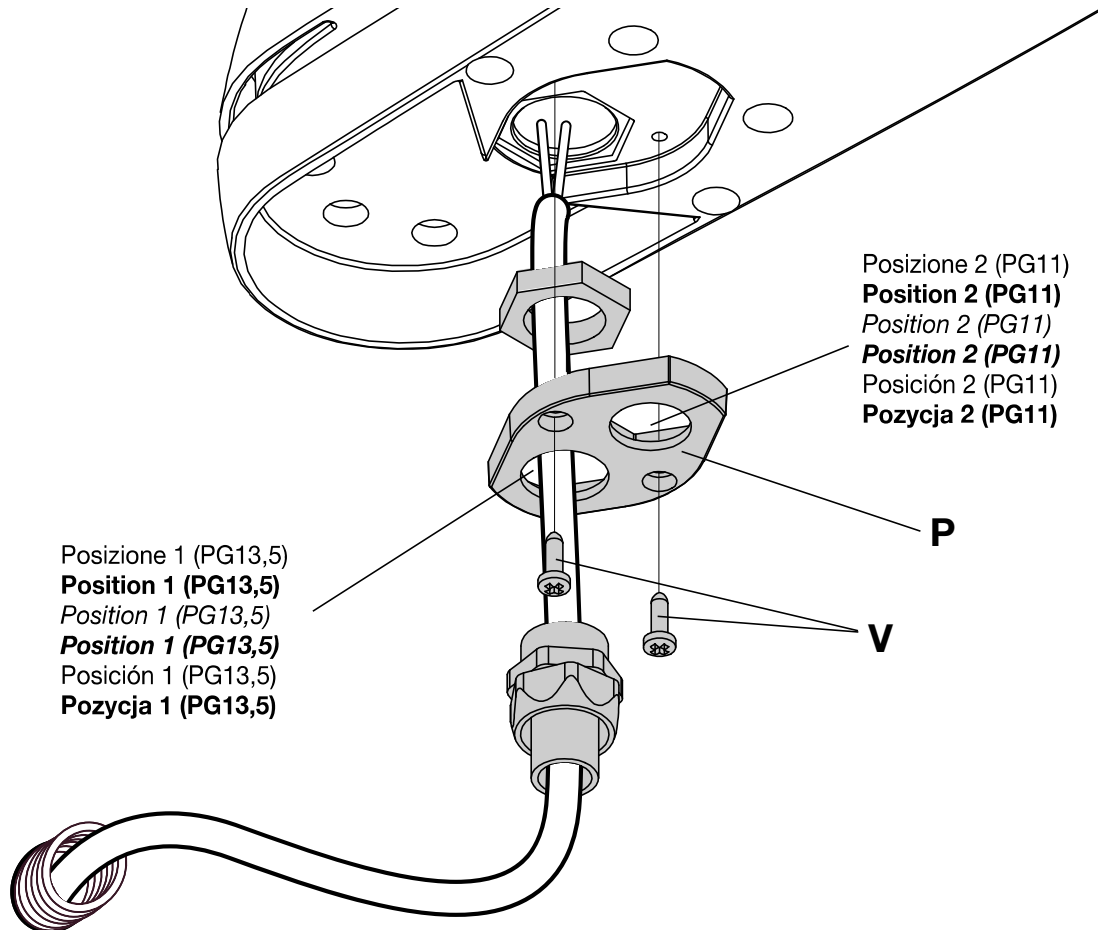
3



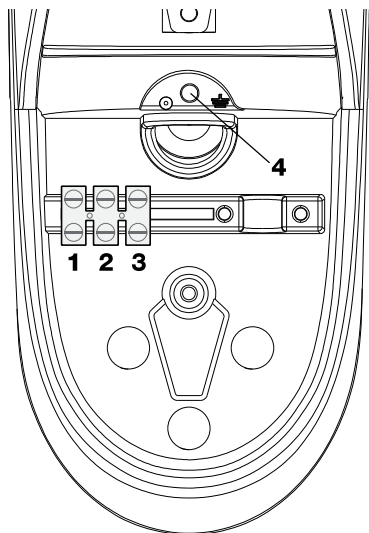
4



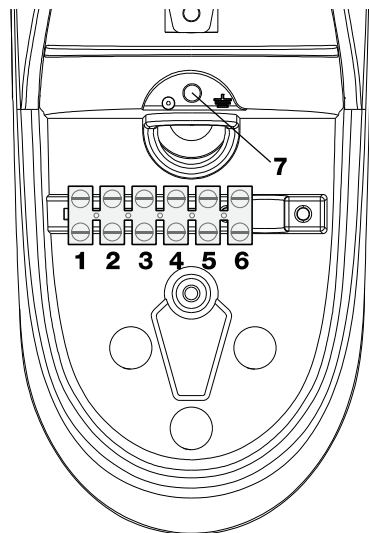
5



6



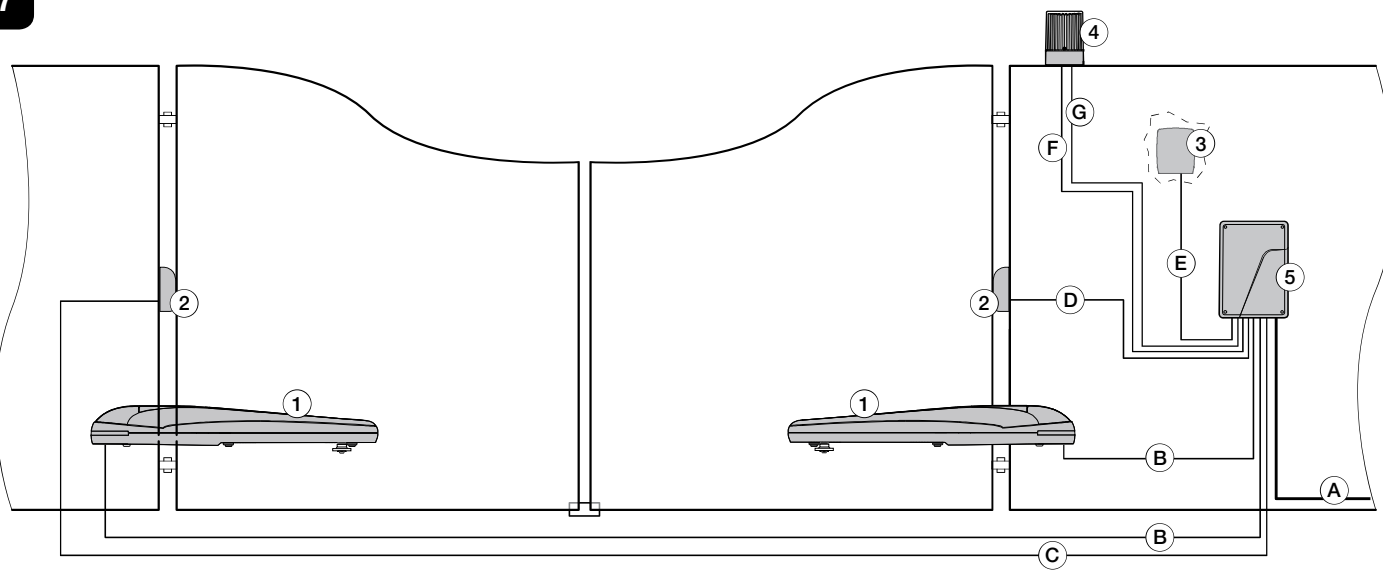
BOB 21M / BOB 30M



BOB 30ME

BOB 21M / BOB 30M						
1	Marcia motore e condensatore.	Motor gear and capacitor.	Motorgang und kondensator.	Marche moteur et condensateur.	Marcha motor y condensador.	Bieg silnika i praca kondensatora
2	COM	COM	COM	COM	COM	COM
3	Marcia motore e condensatore.	Motor gear and capacitor.	Motorgang und kondensator.	Marche moteur et condensateur.	Marcha motor y condensador.	Bieg silnika i praca kondensatora
4	GND	GND	GND	GND	GND	GND
BOB 30ME						
1	Marcia motore e condensatore.	Motor gear and capacitor.	Motorgang und kondensator.	Marche moteur et condensateur.	Marcha motor y condensador.	Bieg silnika i praca kondensatora
2	COM	COM	COM	COM	COM	COM
3	Marcia motore e condensatore.	Motor gear and capacitor.	Motorgang und kondensator.	Marche moteur et condensateur.	Marcha motor y condensador.	Bieg silnika i praca kondensatora
4	Segnale ENCODER Filo Verde	ENCODER signal Green wire	ENCODER-Signal Grün Leiter	Signal ENCODEUR Fil vert	Señal ENCODER Hilo verde	Sygnal ENKODERA Zielony przewód
5	Positivo ENCODER Filo Marrone	ENCODER positive Brown wire	ENCODER Pluspol Braun Leiter	Positif ENCODEUR Fil brun	Positivo ENCODER Hilo marrón	Dodatni ENKODERA Brązowy przewód
6	Negativo ENCODER Filo Bianco	ENCODER negative White wire	ENCODER Minuspol Weiß Leiter	Négatif ENCODER Fil blanc	Negativo ENCODER Hilo blanco	Ujemny ENKODERA Biały przewód
7	GND	GND	GND	GND	GND	GND

7





The product shall not be used for purposes or in ways other than those for which the product is intended for and as described in this manual. Incorrect uses can damage the product and cause injuries and damages. The company shall not be deemed responsible for the non-compliance with a good manufacture technique of gates as well as for any deformation, which might occur during use. Keep this manual for further use.



This manual has been especially written to be use by qualified fitters. Installation must be carried out by qualified personnel (professional installer, according to EN 12635), in compliance with Good Practice and current code. Make sure that the structure of the gate is suitable for automation. The installer must supply all information on the automatic, manual and emergency operation of the automatic system and supply the end user with instructions for use.



Packaging must be kept out of reach of children, as it can be hazardous. For disposal, packaging must be divided the various types of waste (e.g. carton board, polystyrene) in compliance with regulations in force.

Do not allow children to play with the fixed control devices of the product. Keep the remote controls out of reach of children. This product is not to be used by persons (including children) with reduced physical, sensory or mental capacity, or who are unfamiliar with such equipment, unless under the supervision of or following training by persons responsible for their safety. Apply all safety devices (photocells, safety edges, etc.) required to keep the area free of impact, crushing, dragging and shearing hazard.

Bear in mind the standards and directives in force, Good Practice criteria, intended use, the installation environment, the operating logic of the system and forces generated by the automated system.

Installation must be carried out using safety devices and controls that meet standards EN 12978 and EN 12453.

Only use original accessories and spare parts, use of non-original spare parts will cause the warranty planned to cover the products to become null and void.

All the mechanical and electrical parts composing automation must meet the requirements of the standards in force and outlined by CE marking.



An omnipolar switch/section switch with remote contact opening equal to, or higher than 3mm must be provided on the power supply mains.

Make sure that before wiring an adequate differential switch and an overcurrent protection is provided.

Pursuant to safety regulations in force, some types of installation require that the gate connection be earthed.

During installation, maintenance and repair, cut off power supply before accessing to live parts. Also disconnect buffer batteries, if any are connected.

The electrical installation and the operating logic must comply with the regulations in force.

The leads fed with different voltages must be physically separate, or they must be suitably insulated with additional insulation of at least 1 mm. The leads must be secured with an additional fixture near the terminals.

During installation, maintenance and repair, interrupt the power supply before opening the lid to access the electrical parts. Check all the connections again before switching on the power.

The unused N.C. inputs must be bridged.



WASTE DISPOSAL

As indicated by the symbol shown, it is forbidden to dispose this product as normal urban waste as some parts might be harmful for environment and human health, if they are disposed of incorrectly.

Therefore, the device should be disposed in special collection platforms or given back to the reseller if a new and similar device is purchased. An incorrect disposal of the device will result in fines applied to the user, as provided for by regulations in force.

Descriptions and figures in this manual are not binding. While leaving the essential characteristics of the product unchanged, the manufacturer reserves the right to modify the same under the technical, design or commercial point of view without necessarily update this manual.

1) DESTINATION OF USE

This product is destined exclusively for the opening and closure of swing doors for the passage of vehicles, characterised by dimensional limits and weight as indicated in this manual in the "Limits of use" paragraph.

No other use is allowed.

Automatismi Benincà is not liable for uses that are not in compliance with those indicated in these instructions.

2) LIMITS OF USE

Table indicates the maximum values (weight by leaf length) acceptable for the BOB automation

BOB21		BOB30M - BOB 30ME	
Door leaf width (m)	Door leaf weight (kg)	Door leaf width (m)	Door leaf weight (kg)
1	300	1,0	400
1,5	250	1,5	350
2	215	2,0	300
2,1	200	2,5	250
--	--	3,0	200

3) INTRODUCTION

- Before installing the system, read the instruction herein.
- It is mandatory not to use the BOB item for applications different from those indicated in the instructions herein.
- Supply the end user with instructions for using this system.
- The end user should receive special instruction manual.
- All Benincà items are covered by an insurance policy for damages and injuries caused by manufacture faults. It is however required that the machine bear the CE marking and original Benincà parts be used.

4) PRELIMINARY CHECKS

It is indispensable to carry out several checks before starting installation:

- Try and open the gate manually, the leaves must move without effort and without points of resistance for the entire run.
- When left in any intermediate position the leaf must not move.
- The hinges and components subject to wear must be in perfect working condition. If this is not the case, replace the faulty parts.
- The door structure must be strong and the leaves rigid.
- With the gate completely closed, check that the leaves are aligned perfectly along their entire length.
- The pillars supporting the leaves must be suitable for fixing the gear motors.
- BOB has adjustable mechanical stops both in opening and closing. However, a stop for closure on the ground is recommended.

The reliability and safety of the automation depend on the state of the gate structure.

Check that there is enough space for installation of the operator in safe and comfortable conditions.

5) FITTING THE AUTOMATIC SYSTEM

Stabilise the height of the automatic system above ground level (it should be as central as possible with respect to the gate and corresponding to a sturdy cross piece).

Then weld the plate P respecting the distances in fig. 2.

When the gate is closing, weld the bracket S respecting the distance in fig. 2, onto a cross piece of the gate or another suitably robust element; bear in mind that in this condition the actuator must not be completely at the end of travel.

Remove the protective cover C unscrewing the screw F, then fix the actuator to the plate P with the screw T, the washer L and the nut D (fig. 3).

Lastly block the actuator on the plate S with the screw V and the washer R.

The holes in the actuator (fig.2A) help you respect the optimum installation distances.

The adjustable fixing brackets, available on request, allow a wider possibility of adapting the actuator to the different installation conditions, also avoiding cutting and welding the brackets supplied.

6) HOW TO ADJUST THE MECHANICAL STOPPERS

The actuator is provided with adjustable mechanical stoppers in the opening and closing phases. The system is adjusted by suitably positioning the "Open" and "Close" mechanical locks, as shown hereunder (Fig.2):

- 1) Unlock the automatic system by using the special release lever, as shown in the instructions for the user (page 21-22).
- 2) Close the door/gate leaf.
- 3) Loosen screws V1 and move the "Close" lock until it reaches the pivot P, then tighten screws V1.
- 4) Open the door/gate leaf.
- 5) Loosen screws V2 and move the "Open" lock until it reaches the pivot P, then tighten screws V2.
- 6) Reset the automatic operating mode.

7) CONNECTIONS

1) The special plate P (Fig. 5) allows for using a link for sheath or cable gland PG11, or PG13,5. Once the type of cable gland is applied to the plate, fix the latter to the adaptor cover by means of screws V.

2) It is **mandatory** to provide for ground by using the special GND terminal.

8) ELECTRIC CONNECTIONS


The cables necessary for the installation of BOB can vary according to the accessories installed.

No connection cable is supplied.

Fig. 7 indicates the cables for standard installation.

List of cables		
	Connection	Type
A	Mains power supply to the control unit	3x1,5mm ²
B	Motor connection	4x1,5mm ² (3x0,5mm ² BOB 30ME)
C	Photocell transmitter connection	2x1,0mm ²
D	Photocell receiver connection	4x1,0mm ²
E	Key selector connection for external command	2x1,0mm ²
F	Flashing signal light connection	2x1,5mm ²
G	Connection of the aerial built-in the flashing light	RG 58

Legenda	
1	Motoreducer
2	Photo-electric cells
3	Key selector (external) or digital keyboard
4	Flash-light
5	Electronic board

	The cables used must be suitable for the type of connection. For example, for connection protected by raceways use H03VV-F cables, for cables in the outdoor environment always use the H07RN-F type.
--	--

TECHNICAL DATA	BOB21M	BOB30M/BOB30ME
Power supply	230Vac 50/60Hz	
Absorbed current	1,5 A	1,8 A
Thrust	1800 N	2300 N
Jogging	30%	
Protection degree	IP44	
Operating temperature	-20°C / +50°C	
Capacitor	9 µF	12,5 µF
Useful stroke:		
- with 2 stoppers	270 mm	
- without stoppers	325 mm	
Noise level	<70 dB	
Lubrication	Permanent grease	
Weight	8,2 kg	8,6 kg

BOB

User's handbook Safety rules

- Do not stand in the movement area of the gate.
- Do not let children play with controls and near the gate.
- Should operating faults occur, do not attempt to repair the fault but call a qualified technician.

Manual and emergency manoeuvre

In the event of a power cut or breakdown, proceed as follows to operate the wings manually (refer to figures A*,B*,C,D,E):

- Open the protective door (fig. A*)
- After inserting the customized key C, turn it anti-clockwise (fig. B*)
- Open the protective door of the release mechanism (fig. C).
- Insert the special release key supplied and turn it through 90°, as indicated in fig. D for a right actuator or as indicated in fig. E for a left actuator.
- It is now possible to open/close the wing manually.
- To restore automatic operation, return the release key to its initial position.
- Remove the release lever and close the protective door.

* Only BOB30M / BOB30ME models.

Maintenance

- Every month check the good operation of the emergency manual release.
- It is mandatory not to carry out extraordinary maintenance or repairs as accidents may be caused. These operations must be carried out by qualified personnel only.
- The operator is maintenance free but it is necessary to check periodically if the safety devices and the other components of the automation system work properly. Wear and tear of some components could cause dangers.

Warning

All Benincá products are covered by insurance policy for any possible damages to objects and persons caused by construction faults under condition that the entire system be marked CE and only Benincá parts be used.

Fig.A

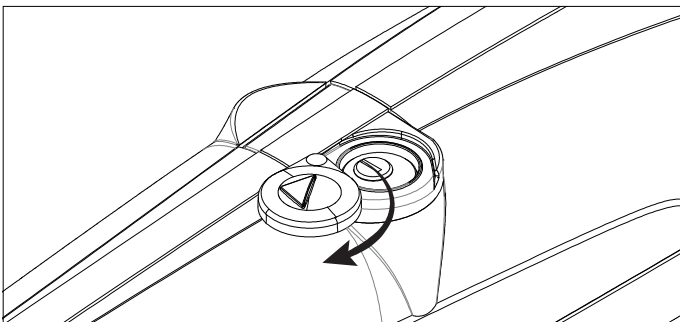


Fig.B

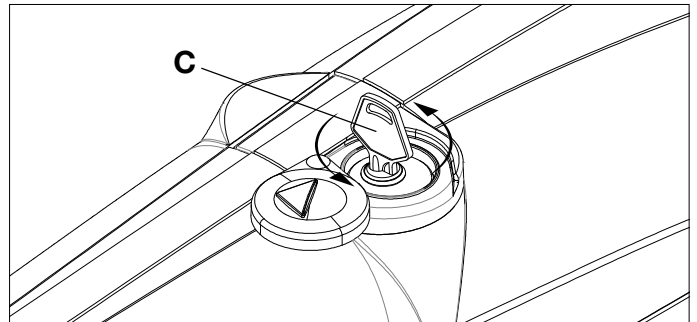


Fig.C

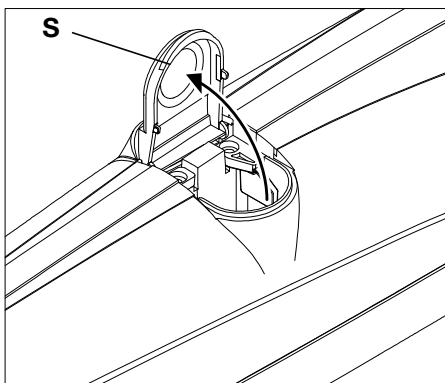


Fig.D

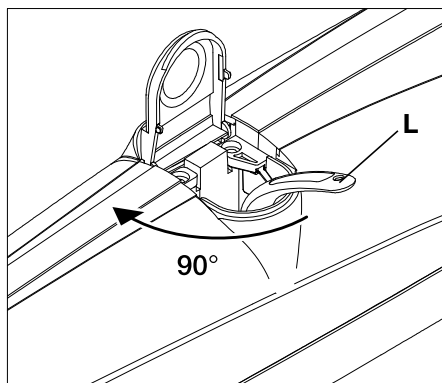
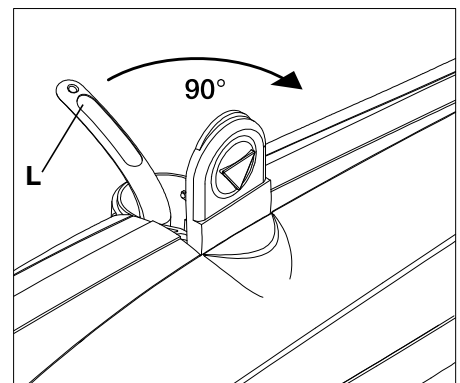
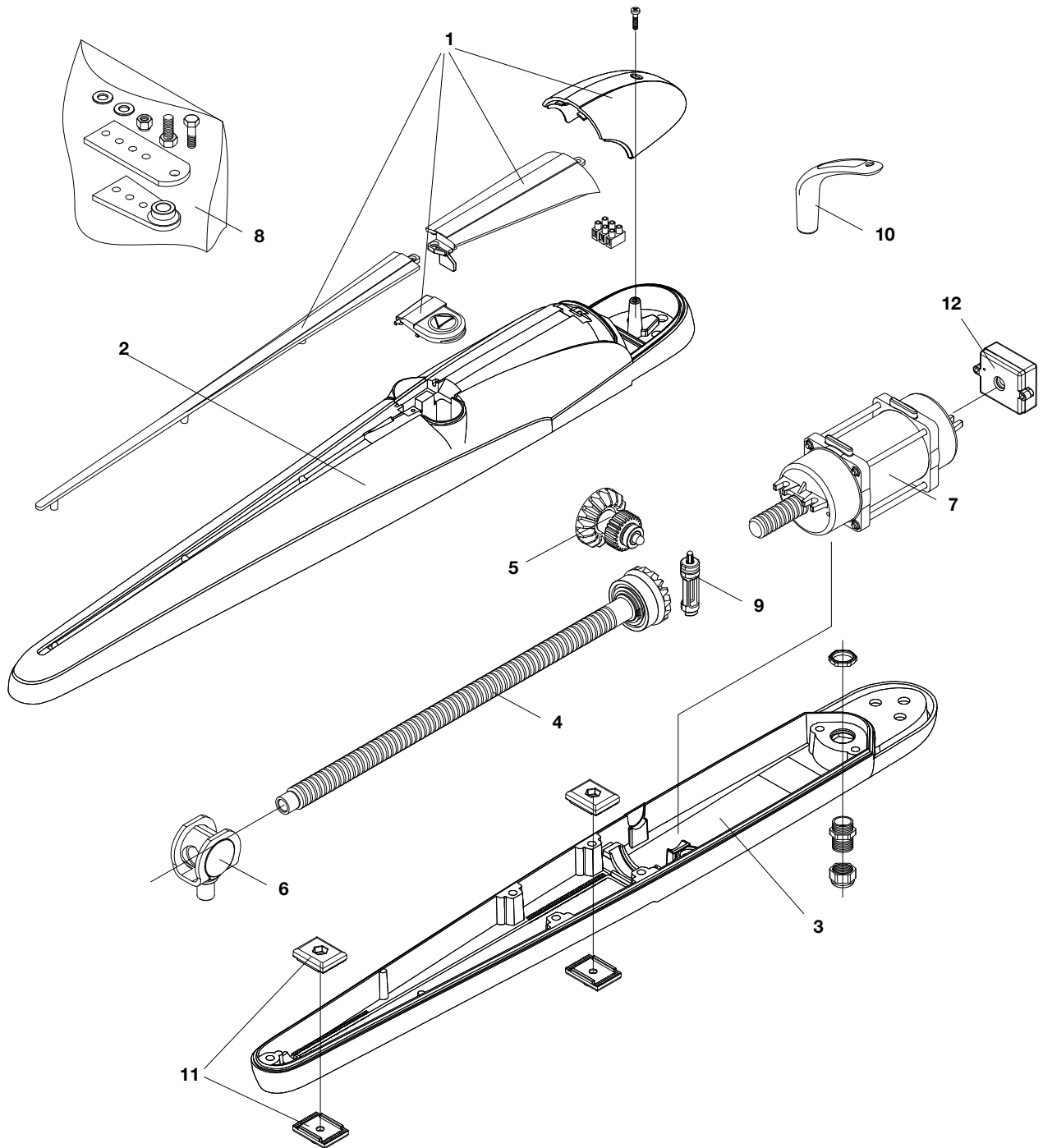


Fig.E





Ref.	BOB 21M Code	BOB 30M Code	BOB 30ME Code	Note
1	9686868	9686769	9686769	
2	9686869	9686869	9686869	
3	9686766	9686766	9686766	
4	9686871	9686871	9686871	
5	9686872	9686872	9686872	
6	9686873	9686816	9686816	
7	9686768	9686768	9686768	
8	9686765	9686765	9686765	
9	9686876	9686876	9686876	
10	9686877	9686877	9686877	
11	9686883	9686883	9686883	
12	---	---	9686701	

Dichiarazione di Conformità UE (DoC)

Nome del produttore: **Automatismi Benincà SpA** - Indirizzo: **Via Capitello, 45 - 36066 Sandrigo (VI) - Italia** - Telefono: **+39 0444 751030** - Indirizzo e-mail: **sales@beninca.it**
Persona autorizzata a costruire la documentazione tecnica: **Automatismi Benincà SpA**
Tipo di prodotto: **automazione per cancelli battenti** - Modello/Tipo: **BOB21M/BOB30M/BOB30ME** - Accessori: **N/A**

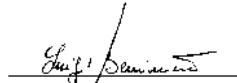
Il sottoscritto Luigi Benincà, in qualità di Responsabile Legale, dichiara sotto la propria responsabilità che il prodotto sopraindicato risulta conforme alle disposizioni imposte dalle seguenti direttive:

Direttiva 2014/30/UE del Parlamento europeo e del Consiglio, del 26 febbraio 2014, concernente l'armonizzazione delle legislazioni degli Stati membri relative alla compatibilità elettromagnetica (**EMCD**), secondo le seguenti norme armonizzate:
EN 61000-6-2:2005, EN 61000-6-3:2007 + A1:2011.

Direttiva 2014/35/EU DEL PARLAMENTO EUROPEO E DEL CONSIGLIO del 26 febbraio 2014 concernente l'armonizzazione delle legislazioni degli Stati membri relative alla messa a disposizione sul mercato del materiale elettrico destinato ad essere adoperato entro taluni limiti di tensione (**LVD**), secondo le seguenti norme armonizzate:
EN 60335-1:2012 + A11:2014; EN 60335-2-103:2015.

Direttiva 2011/65/UE del Parlamento europeo e del Consiglio, dell'8 giugno 2011, sulla restrizione dell'uso di determinate sostanze pericolose nelle apparecchiature elettriche ed elettroniche (**RoHS**), secondo le seguenti norme armonizzate:
EN 50581:2012

Benincà Luigi, Responsabile legale.
Sandrigo, 21/06/2016.



Il Certificato di Conformità di questo documento corrisponde all'ultima revisione disponibile al momento della stampa e può risultare differente per esigenze editoriali dall'originale disponibile presso il produttore.

Il Certificato di Conformità più completo e recente è disponibile consultando il sito: www.beninca.com oppure può essere richiesto presso: Automatismi Benincà S.p.A - Sandrigo VI - Italy.

UE Declaration of Conformity (DoC)

Manufacturer's name: **Automatismi Benincà SpA** - Address: **Via Capitello, 45 - 36066 Sandrigo (VI) - Italia** - Telephone: **+39 0444 751030** - Email address: **sales@beninca.it**
Person authorised to draft the technical documentation: **Automatismi Benincà SpA**

Product type: **operator for hinged gates** - Model/type: **BOB21M/BOB30M/BOB30ME** - Accessories: **N/A**

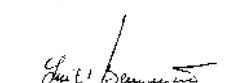
The undersigned Luigi Benincà, as the Legal Officer, declares under his liability that the aforementioned product complies with the provisions established by the following directives:

Directive 2014/30/UE OF THE EUROPEAN PARLIAMENT AND OF THE COUNCIL of 26 February 2014, on the harmonisation of the laws of Member States relating to electro-magnetic compatibility, according to the following harmonised regulations:
EN 61000-6-2:2005, EN 61000-6-3:2007 + A1:2011.

Directive 2014/35/UE OF THE EUROPEAN PARLIAMENT AND OF THE COUNCIL of 26 February 2014, on the harmonisation of the laws of Member States relating to electrical equipment designed for use with certain voltage limits, according to the following harmonised regulations:
EN 60335-1:2012 + A11:2014; EN 60335-2-103:2015.

Directive 2011/65/EU of the European Parliament and Council, dated 8 June 2011, on the restricted use of certain hazardous substances in electrical and electronic devices (**RoHS**), according to the following standards:
EN 50581:2012

Benincà Luigi, Legal Officer.
Sandrigo, 21/06/2016.



The certificate of conformity in this document corresponds to the last review available at the time of printing and could differ for editorial requirements from the original available from the manufacturer.

The most recent and complete certificate of conformity is available consulting the site: www.beninca.com or can be requested from: Automatismi Benincà SpA - Sandrigo VI - ITALY.

EG-Konformitätserklärung (DoC)

Name des Herstellers: **Automatismi Benincà SpA** - Adresse: **Via Capitello, 45 - 36066 Sandrigo (VI) - Italia** - Telefon: **+39 0444 751030** - E-Mail-Adresse: **sales@beninca.it**
Zur Erstellung der technischen Dokumentation berechnete Person: **Automatismi Benincà SpA**

Produkttypus: **Antriebe für Drehflügelstore** - Modell/Typus: **BOB21M/BOB30M/BOB30ME** - Zubehör: **N/A**

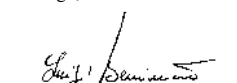
Der Unterzeichnete Luigi Benincà, in seiner Eigenschaft als Rechtsvertreter, erklärt eigenverantwortlich, dass das oben angegebene Produkt den durch die folgenden Richtlinien vorgegebene Bestimmungen entspricht:

Richtlinie 2014/30/UE DES EUROPÄISCHEN PARLAMENTS UND DES RATES vom 26. Februar 2014 zur Angleichung der Rechtsvorschriften der Mitgliedstaaten über die elektromagnetische Verträglichkeit, gemäß nachstehenden Normen:
EN 61000-6-2:2005, EN 61000-6-3:2007 + A1:2011.

Richtlinie 2014/35/UE DES EUROPÄISCHEN PARLAMENTS UND DES RATES vom 26. Februar 2014 zur Angleichung der Rechtsvorschriften der Mitgliedstaaten betreffend elektrische Betriebsmittel zur Verwendung innerhalb bestimmter Spannungsgrenzen, gemäß nachstehenden Normen:
EN 60335-1:2012 + A11:2014; EN 60335-2-103:2015.

Richtlinie 2011/65/EU des Europäischen Parlaments und des Rates vom 8. Juni 2011 zur Beschränkung der Verwendung bestimmter gefährlicher Stoffe in Elektro- und Elektronikgeräten (**RoHS**), gemäß den folgenden harmonisierten Normen:
EN 50581:2012

Benincà Luigi, Rechtsvertreter.
Sandrigo, 21/06/2016.



Die in diesem Dokument vorliegende Konformitätserklärung entspricht der neuesten zum Druckzeitpunkt erhältlichen Revision und könnte aufgrund von verlegerischen Gründen vom beim Hersteller erhältlichen Original abweichen.

Die neueste und vollständigste Konformitätserklärung ist auf der Internetseite: www.beninca.com erhältlich oder kann bei folgender Adresse angefordert werden: Automatismi Benincà SpA - Sandrigo VI - ITALY.

Declarazione CE di conformità (DoC)

Nom du producteur : **Automatismi Benincà SpA** - Adresse : **Via Capitello, 45 - 36066 Sandrigo (VI) - Italia** - Téléphone : **+39 0444 751030** - Adresse e-mail: **sales@beninca.it**
Personne autorisée à construire la documentation technique : **Automatismi Benincà SpA**

Type de produit : **automation pour portails ouvrants** - Modèle/Type: **BOB21M/BOB30M/BOB30ME** - Accessoires : **N/A**

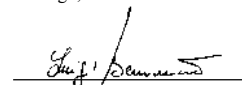
Le soussigné Luigi Benincà, en sa qualité de Représentant Légal, déclare sous sa propre responsabilité que le produit indiqué ci-dessus est conforme aux dispositions imposées par les directives suivantes:

Directive 2014/30/UE DU PARLEMENT EUROPÉEN ET DU CONSEIL du 26 février 2014 concernant le rapprochement des législations des États membres relatives à la compatibilité électromagnétique, selon les suivantes normes harmonisées:
EN 61000-6-2:2005, EN 61000-6-3:2007 + A1:2011.

Directive 2014/35/UE DU PARLEMENT EUROPÉEN ET DU CONSEIL du 26 février 2014 concernant le rapprochement des législations des États membres relatives au matériel électrique destiné à être employé dans certaines limites de tension, selon les suivantes normes harmonisées:
EN 60335-1:2012 + A11:2014; EN 60335-2-103:2015.

Directive 2011/65/UE du Parlement européen et du Conseil, du 8 juin 2011, sur la restriction à l'usage de substances dangereuses déterminées dans les appareillages électriques et électroniques (**RoHS**), selon les normes harmonisées suivantes :
EN 50581:2012

Benincà Luigi, Représentant Légal.
Sandrigo, 21/06/2016.



Le certificat de conformité présent dans ce document correspond à la dernière révision disponible au moment de l'impression et pourrait différer pour des exigences éditoriales de l'original disponible chez le constructeur.

Le certificat de conformité le plus récent et complet est disponible en consultant le site : www.beninca.com ou peut être demandé à : Automatismi Benincà SpA - Sandrigo VI - ITALIE.

Declaración CE de conformidad (DoC)

Nombre del productor: **Automatismi Benincà SpA** - Dirección: **Via Capitello, 45 - 36066 Sandrigo (VI) - Italia** - Teléfono: **+39 0444 751030** - Dirección de correo electrónico: **sales@beninca.it**
Persona autorizada a producir la documentación técnica: **Automatismi Benincà SpA**

Tipo de producto: **automatización para cancelas de batiente** - Modelo/Tipo: **BOB21M/BOB30M/BOB30ME** - Accesorios: **N/A**

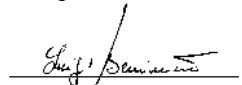
El infrascrito Luigi Benincà, en calidad de Representante Legal, declara bajo su responsabilidad que el producto anteriormente mencionado resulta en conformidad con las disposiciones establecidas por las siguientes directivas:

Directiva 2014/30/UE del parlamento europeo y del consejo del 26 de febrero de 2014 sobre la aproximación de las legislaciones de los Estados miembros con relación a la compatibilidad electromagnética, según las siguientes normas armonizadas:
EN 61000-6-2:2005, EN 61000-6-3:2007 + A1:2011.

Directiva 2014/35/UE DEL PARLAMENTO EUROPEO Y DEL CONSEJO del 26 de febrero de 2014 sobre la aproximación de las legislaciones de los Estados miembros con relación al material eléctrico destinado a ser utilizado dentro de determinados límites de tensión, según las siguientes normas armonizadas:
EN 60335-1:2012 + A11:2014; EN 60335-2-103:2015.

Directiva 2011/65/UE del Parlamento europeo e del Consejo, de 8 de junio de 2011, sobre restricciones a la utilización de determinadas sustancias peligrosas en aparatos eléctricos y electrónicos (**RoHS**), según las normas siguientes armonizadas:
EN 50581:2012

Benincà Luigi, Representante Legal.
Sandrigo, 21/06/2016.



El certificado de conformidad presente en este documento corresponde a la última revisión disponible en el momento de la impresión y podría diferir por exigencias editoriales del original disponible en la sede del fabricante.

El certificado de conformidad más reciente y completo está disponible consultando el sitio: www.beninca.com o se puede solicitar a: Automatismi Benincà SpA - Sandrigo VI - ITALY.

Deklaracja zgodności CE (DoC)

Nazwa producenta: **Automatismi Benincà SpA** - Adres: **Via Capitello, 45 - 36066 Sandrigo (VI) - Italia** - Telefon: **+39 0444 751030** - Adres e-mail: **sales@beninca.it**
Osoba upoważniona do stworzenia dokumentacji technicznej: **Automatismi Benincà SpA**

Rodzaj produktu: **Automatyzm do bram uchylnych** - Model/Typ: **BOB21M/BOB30M/BOB30ME** - Akcesoria: **N/A**

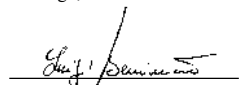
Niżej podpisany/a Luigi Benincà, jako Przedstawiciel prawny, deklaruje na własną odpowiedzialność, że wskazany produkt jest zgodny z rozporządzeniami następujących dyrektyw:
Dyrektywy 2014/30/WE rady I parlamentu europejskiego z dnia 26 lutego 2014r. w sprawie zbliżania ustawodawstwa państw członkowskich w zakresie kompatybilności elektromagnetycznej, zgodnie z następującymi normami zharmonizowanymi:

EN 61000-6-2:2005, EN 61000-6-3:2007 + A1:2011.

Dyrektywy 2014/35/WE RADY I PARLAMENTU EUROPEJSKIEGO z dnia 26 lutego 2014r. w sprawie zbliżania ustawodawstwa państw członkowskich w zakresie bezpieczeństwa sprzętu elektrycznego o określonych granicach napięcia, zgodnie z następującymi normami zharmonizowanymi:
EN 60335-1:2012 + A11:2014; EN 60335-2-103:2015.

Dyrektywa 2011/65/WE Parlamentu Europejskiego i Rady z 8 czerwca 2011 r. w sprawie ograniczenia stosowania niektórych niebezpiecznych substancji w sprzęcie elektrycznym i elektronicznym (**RoHS**), zgodnie z poniższymi normami zharmonizowanymi:
EN 50581:2012

Benincà Luigi, Przedstawiciel prawny.
Sandrigo, 21/06/2016.



Certyfikat zgodności znajdujący się w niniejszym dokumencie odpowiada ostatniej aktualizacji dostępnej w momencie wydruku i może się różnić ze względów wydawniczych od oryginału dostępnego u producenta.

Najbardziej aktualny i kompletny certyfikat zgodności jest dostępny na stronie: www.beninca.com lub można się po niego zwrócić do: Automatismi Benincà SpA - Sandrigo VI - WŁOCHY.

BENINCA®